

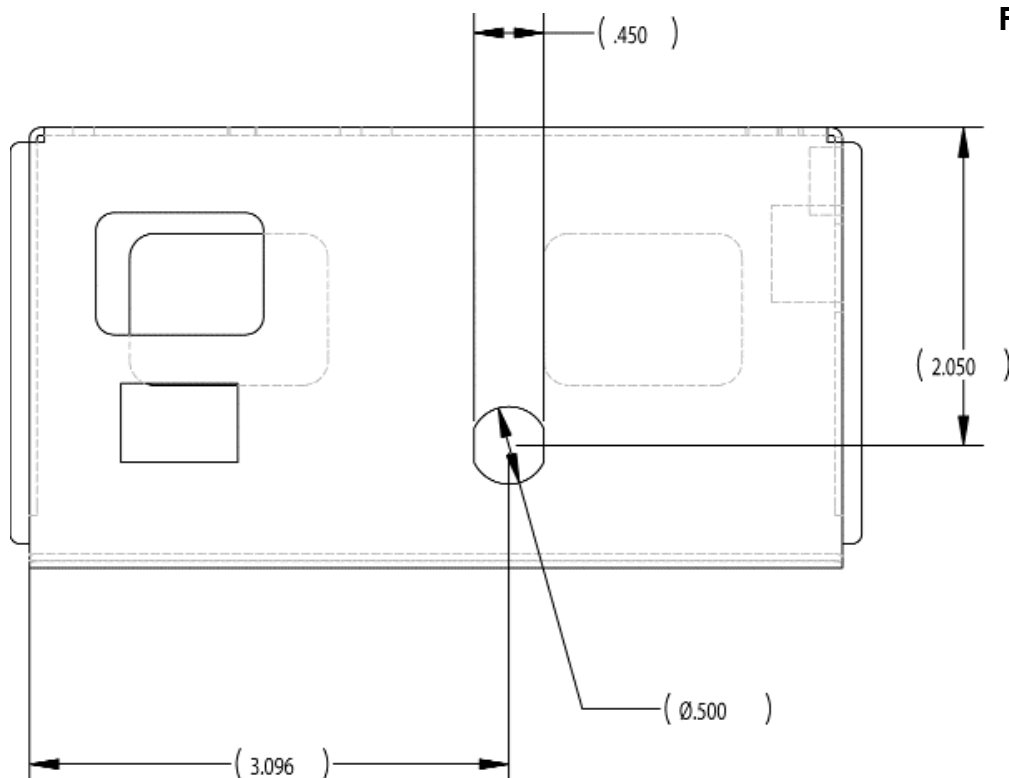


## Installing the Replacement Triac PCB and External Fuse for the Galaxy II Kit No. 42138

The fuse on the power supply has been made easier to change on the newer Galaxy II's. These instructions explain how to replace the old style dimmer board with the new style.

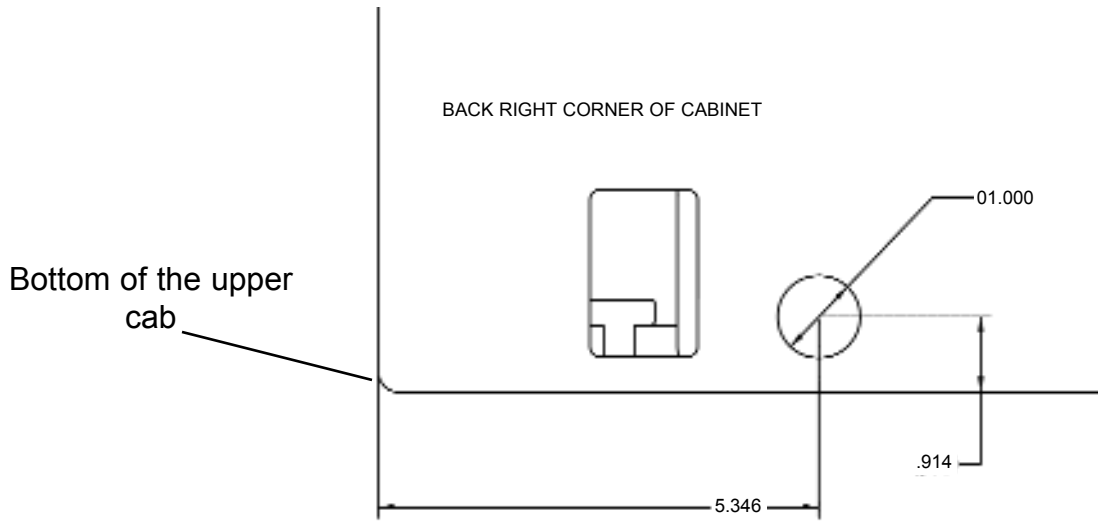
1. Unplug the Galaxy II.
2. Remove the power cord from the back of the game.
3. Open the upper door.
4. Take off the Bezel.
5. Disconnect all of the wires from the power supply.
6. Remove the power supply from the Galaxy II.
7. Remove the dimmer board from the power supply chassis. It is the smaller of the two boards.
8. Punch a double D hole (1/2" x .450) in the back of the power supply. Refer to Figure A.

*Note: For your convenience chassis with the proper double D hole prepunched are available from Arachnid.*



**FIGURE A**

9. Install the new dimmer board in the chassis.
10. Put the external fuse holder in the double D hole and attach wire tails from the dimmer board.
11. Set power supply aside.
12. Drill a 1/16" pilot hole in the back of the Galaxy II upper cabinet where indicated on figure B.
13. Open up the hole to 1" using a 1" spade bit.
14. Reassemble.



**FIGURE B**

*Note: The kit for installing just the fuse holder is part number 42064.*