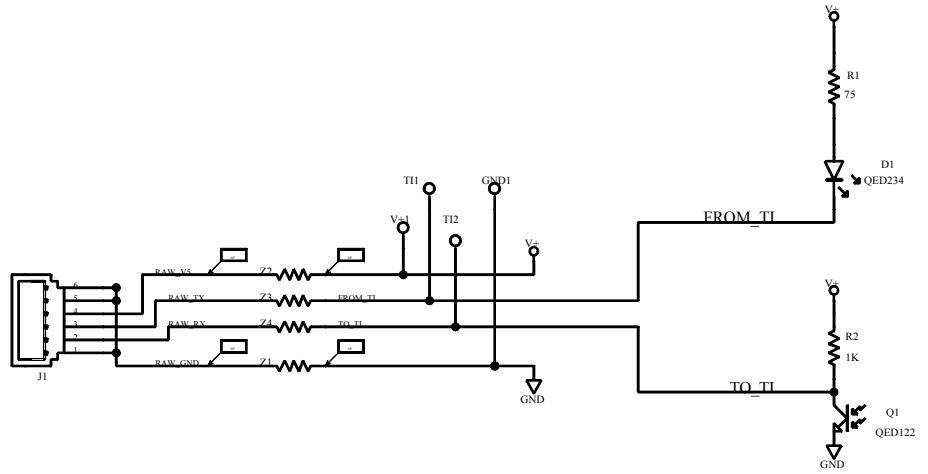
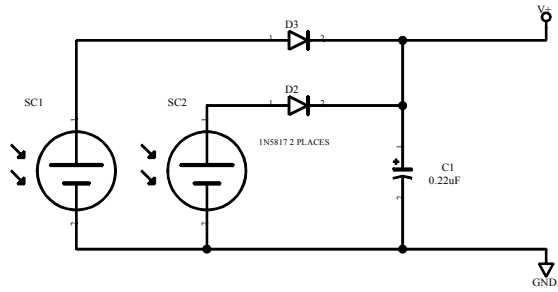


SOLAR  
CELLS  
2 PLACES



Title			CHUCK A LUCK ROTATIONAL SOLAR CELL		
Size	Document Number				REV
B	42174				C
Date	02/21/106		Sheet	1	of 1