



Installing the External Fuse Conversion for the Galaxy II Kit No. 42064

The fuse on the power supply has been made easier to change on the newer Galaxy II's. If you have received this document with a new power supply to replace a Galaxy II's older style power supply, please skip the following and start with instruction #14. If this document was received with a replacement dimmer board, please follow the instructions on this document starting with #1:

1. Unplug the Galaxy II.
2. Remove the power cord from the back of the game.
3. Open the upper door.
4. Take off the Bezel.
5. Disconnect all of the wires from the power supply.
6. Remove the power supply from the Galaxy II.
7. Remove the dimmer board from the power supply chassis. This should be the smaller of the two boards.
8. Punch a double D hole ($1/2'' \times .450$) in the back of the power supply. Refer to Figure A.

Note: For your convenience chassis with the proper double D hole prepunched are available from Arachnid.

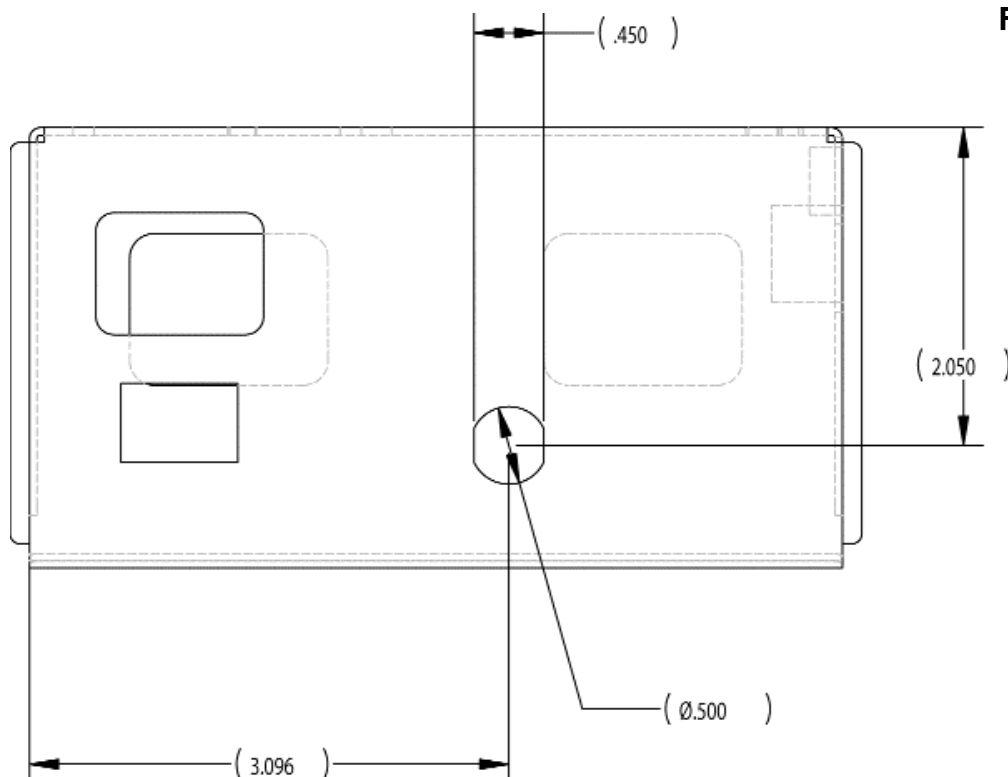
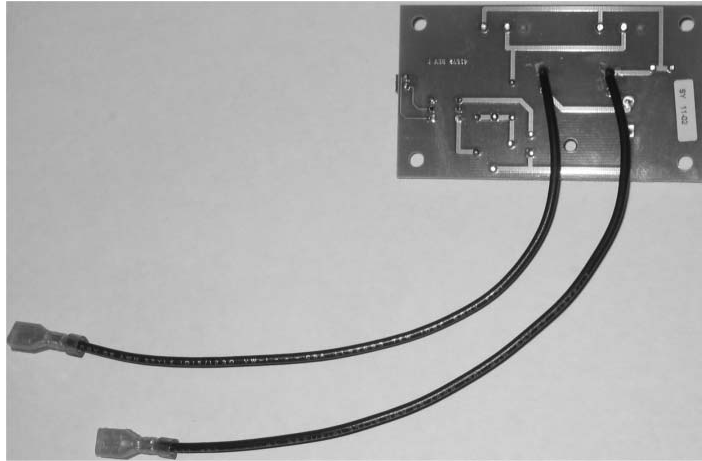


FIGURE A

9. Unsolder the fuse clips from the dimmer board.
10. Solder the wire tails for the external fuse in the holes where the fuse clips were removed.



11. Install the dimmer board in the chassis.
12. Put the external fuse holder in the double D hole and attach wire tails from the dimmer board.
13. Set power supply aside.
14. Drill a 1/16" pilot hole in the back of the Galaxy II upper cabinet where indicated on figure B.
15. Open up the hole to 1" using a 1" spade bit.
16. Reassemble.

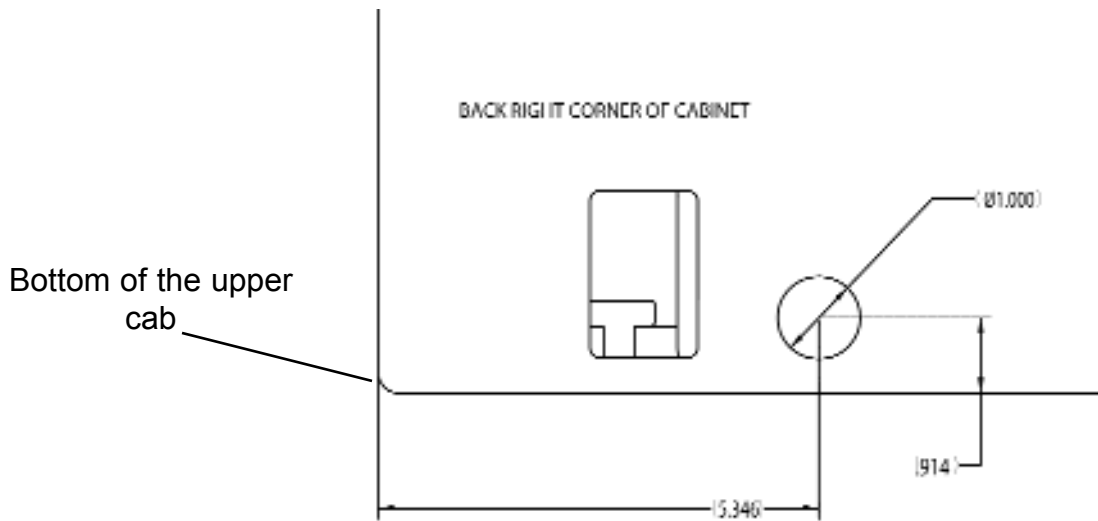


FIGURE B